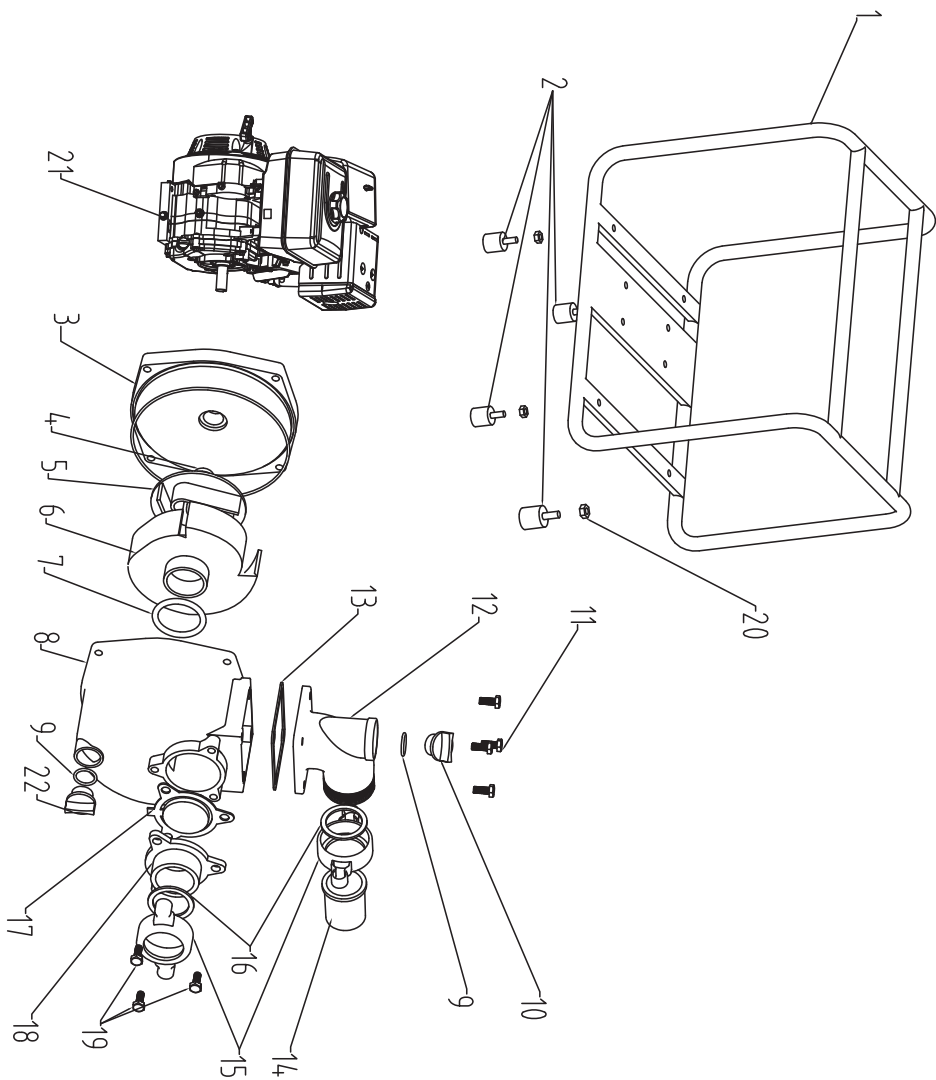


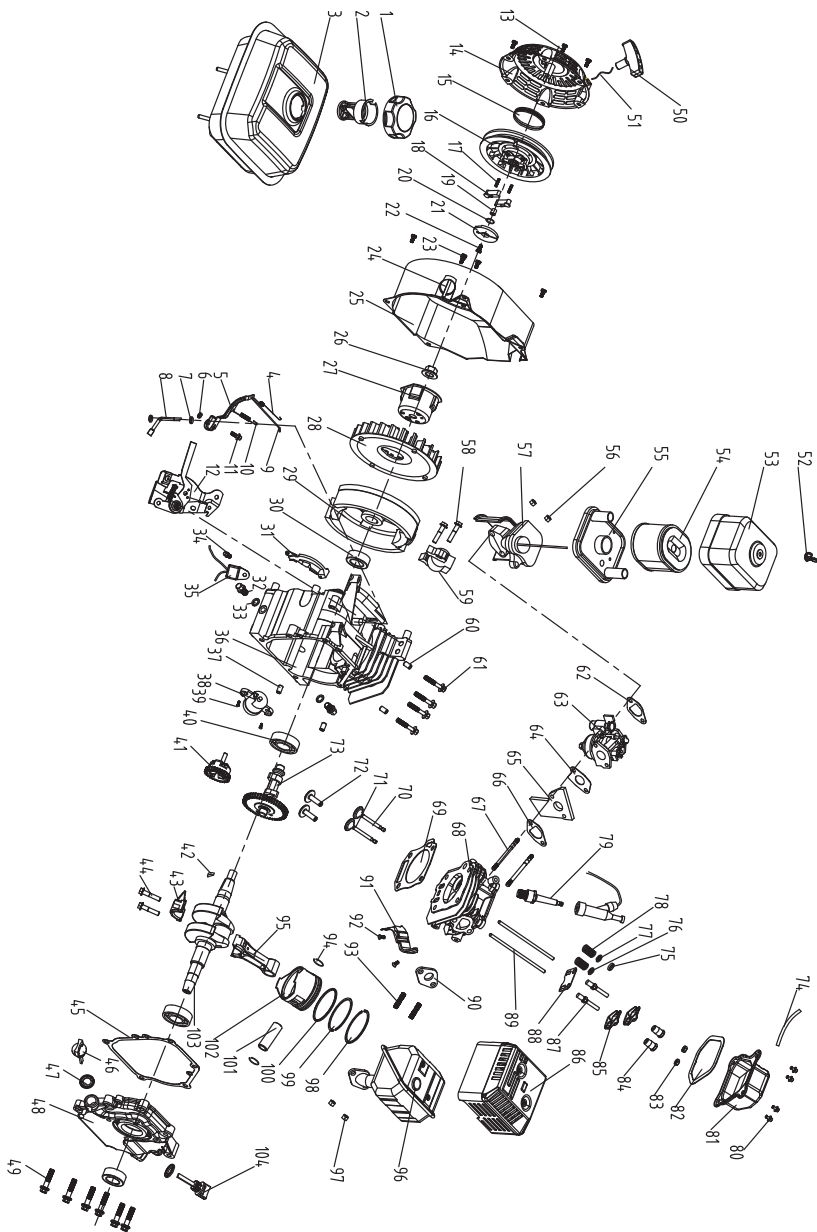
### ASSEMBLY DIAGRAM



**PARTS LIST**

NO.	Description	Qty
22	Water pump drain plug	1
21	Gasoline engine	1
20	M8 nut	4
19	M8×20 bolt	3
18	Suction water joint	1
17	Suction water joint gasket-1	1
16	Joint nut gasket	2
15	Joint nut	2
14	Discharge water joint-2	1
13	Discharge water joint gasket-1	1
12	Discharge water joint-1	1
11	M8×25 bolt	4
10	Prming water filler cap	1
9	O-type seal circle-2	2
8	Water pump shell	1
7	O-type seal circle-1	1
6	Water pump lead flow cover	1
5	Water pump impeller	1
4	Water seal	1
3	Water pump base	1
2	Rubber feet	4
1	Frame	1

### ASSEMBLY DIAGRAM (ENGINE)



### PARTS LIST(ENGINE)

NO.	Description	Qty	NO.	Description	Qty
1	Fuel Tank Cover	1	53	Air Cleaner Cover	1
2	Strainer	1	54	Filter Parts	1
3	Fuel Tank Parts	1	55	Air Cleaner Cover Base	1
4	Pulling Spring	1	56	Nut- M6-Zn.D	2
5	Governor Arm	1	57	Intake pipe Parts	1
6	Nut M6	1	58	M6×25	2
7	Gasket	2	59	Ignition Block Parts	1
8	Governor Lever	1	60	Cylinder Head pin	2
9	Governor Rod	1	61	Cylinder Head Bolt	4
10	Governor Spring	1	62	Air Cleaner Gasket	1
11	Bolt	1	63	Carburetor	1
12	Governor ban parts	1	64	Carburetor Gasket	1
13	Bolt M6×10	3	65	Carburetor Insulator	1
14	Pulling Tray Cover	1	66	Carburetor Insulator Gasket	1
15	Spring	1	67	Carburetor Bolt	2
16	Pulling Tray	1	68	Cylinder Head	1
17	Spring	2	69	Cylinder Head Gasket	1
18	Starting feet	2	70	Exhaust Valve	1
19	Pin	1	71	Intake Valve	1
20	Clip Spring	1	72	Tappet	2
21	Impacted ban	1	73	Camshaft	1
22	Bolt M6×15	1	74	Rubber Tube	1
23	Bolt M6×12	4	75	Exhaust Valve Adjust Nut	2
24	Switch	1	76	Intake Valve Spring Retainer	1
25	Lead Wind Cover	1	77	Exhaust Valve Spring Retainer	1
26	Flywheel Nut	1	78	Valve Spring	2
27	Starting Claw	1	79	Spark Plug	1
28	Fan	1	80	Bolt M6×14	4
29	Flywheel Parts	1	81	Cylinder head cover	1
30	Seal,oil	2	82	Cylinder head cover Gasket	1
31	Windboard	1	83	Nut	2
32	Oil Drain Plug	2	84	Nut	2
33	Gasket	2	85	Rocker Arm	2
34	M6×12 Bolt	1	86	Muffler Cover	1
35	Interdiction Organ	1	87	Rocker Bolt	2
36	Crankcase Parts	1	88	Push-Rod Keep Frame	1
37	Pin	2	89	Push-Rod	2
38	Oil Sensor	1	90	Exhaust pipe Gasket	1
39	M6×15 Bolt	2	91	Lead Windboard	1
40	Bearing 205	2	92	Bolt M6×12	2
41	Governor Gear	1	93	Double Bolt	2
42	Half-round Key	1	94	Piston pin Clip Spring	2
43	Connecting Rods Cover	1	95	Connecting Rods	1
44	Connecting Rods Bolt	2	96	Muffler	1
45	Crankcase gasket	1	97	Nut M8	2
46	Oil Gauge	1	98	Piston Ring1	1
47	Gasket	1	99	Piston Ring2	1
48	Crankcase Cover	1	100	Oil Ring	1
49	Bolt M8×35	6	101	Piston Pin	1
50	Starting Handspike	1	102	Piston	1
51	Starting Line	1	103	Crankshaft	1
52	Nut	1	104	Oil Gauge	1