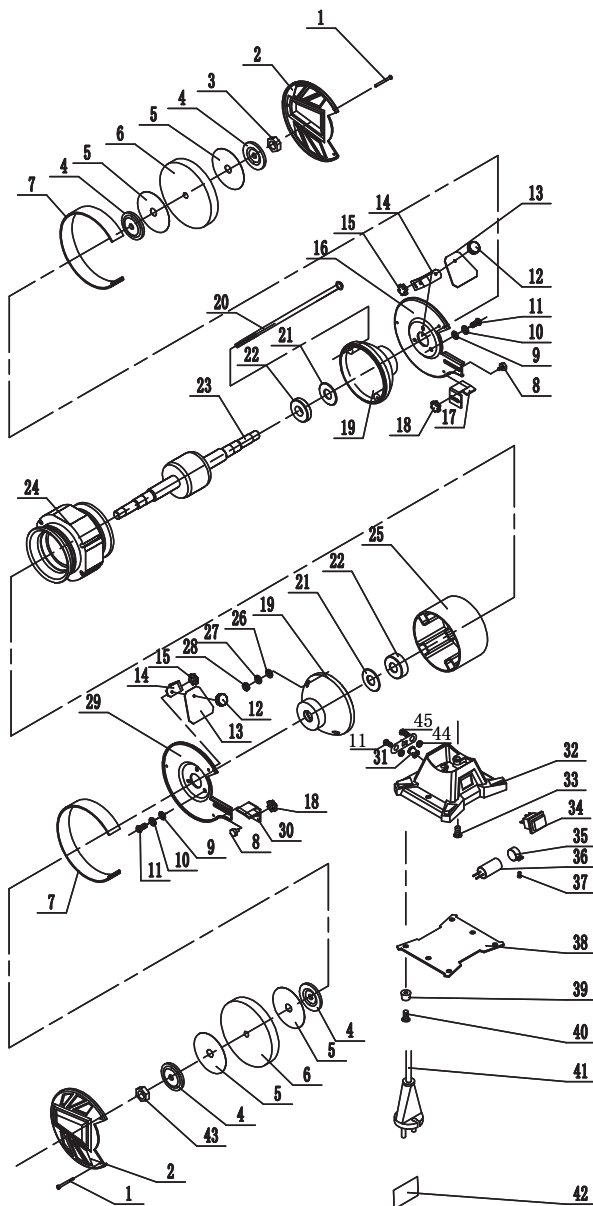


### PARTS LIST 79646-BS

No.	Part name	Qty	No.	Part name	Qty
1	Screw	6	23	Rotor	1
2	Outer cover	2	24	Stator	1
3	Nut	1	25	stator housing	1
4	Wheel ring	4	26	Washer	4
5	Name plate of wheel	4	27	Spring washer	4
6	Wheel	2	28	Nut	4
7	Middle ring	2	29	Left inner cover	1
8	Screw	2	30	Left tool rest	1
9	Washer	6	31	cabl plate	1
10	Spring washer	6	32	Base	1
11	Screw	8	33	Screw	2
12	Knob nut	2	34	Switch	1
13	Eye shield	2	35	Condenser clip	1
14	Eye shield bracket	2	36	Condenser	1
15	Eye shield bracket Knob nut	2	37	Screw	1
16	Right inner cover	1	38	Base plate	1
17	Right tool rest	1	39	Rubber foot	4
18	Knob nut	2	40	Screw	4
19	End cover	2	41	Cord	1
20	Screw	4	42	Name plate	1
21	Rubber bush	2	43	Left Nut	1
22	Ball bearing	2	44	Nut	2
			45	Gasket	1

## ASSEMBLY DIAGRAM 79646-BS



### PARTS LIST 79648-BS

No.	Part name	Qty	No.	Part name	Qty
1	Screw	6	23	Rotor	1
2	Outer cover	2	24	Stator	1
3	Nut	1	25	stator housing	1
4	Wheel ring	4	26	Washer	
5	Name plate of wheel	4	27	Spring washer	
6	Wheel	2	28	Nut	
7	Middle ring	2	29	Left inner cover	1
8	Screw	2	30	Left tool rest	1
9	Washer	6	31	cabale plate	1
10	Spring washer	6	32	Base	1
11	Screw	8	33	Screw	2
12	Knob nut	2	34	Switch	1
13	Eye shield	2	35	Condenser clip	1
14	Eye shield bracket	2	36	Condenser	1
15	Eye shield bracket Knob nut	2	37	Screw	1
16	Right inner cover	1	38	Base plate	1
17	Right tool rest	1	39	Rubber foot	4
18	Knob nut	2	40	Screw	4
19	End cover	2	41	Cord	1
20	Screw		42	Name plate	1
21	Gasket	1	43	Left Nut	1
22	Ball bearing	2	44	Nut	2

### ASSEMBLY DIAGRAM 79648-BS

