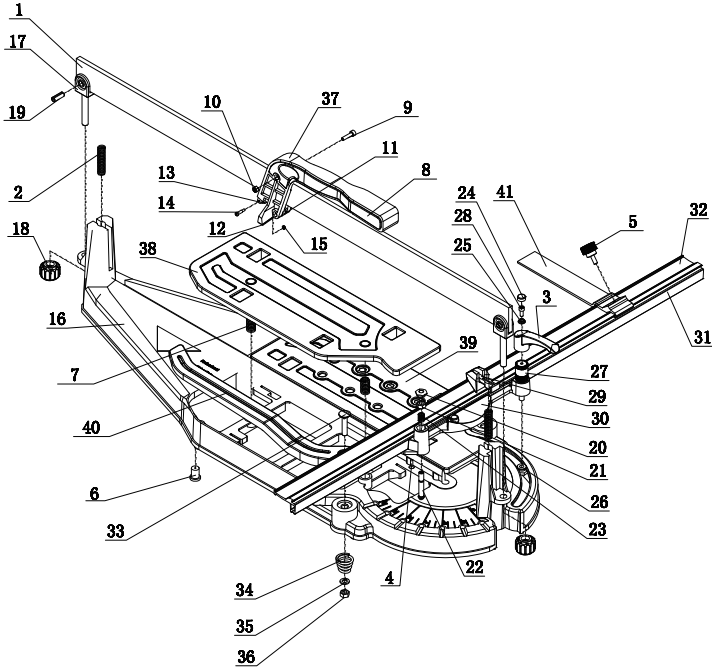


PART LIST & ASSEMBLY DIAGRAM



1	guide rod	15	self-hold hex nut	29	bumper block
2	regulating spring	16	base frame	30	swivel plates
3	clamp handle	17	adjusting screw rod	31	caleplate
4	cross-shaped countersunk head tapping screw	18	adjusting screw	32	scaleplate paster
5	short angle square clamp handle	19	elastic cylindrical pin	33	square neck screw
2	base leg	20	angle locating rod nut	34	conical spring
7	panel spring	21	hex nut	35	flat washer
8	handle lid	22	angle locating rod	36	self-hold hex nut
9	inner hexagon bolt	23	compressed spring	37	handle
10	self-hold hex nut	24	clamp handle lid	38	left panel
11	bearing roller	25	small conical spring	39	right panel
12	breaking washer	26	lock nut	40	outspread bracket
13	cutting wheel	27	lock screw	41	short angle square
14	wheel shaft	28	inner hexagon bolt		